

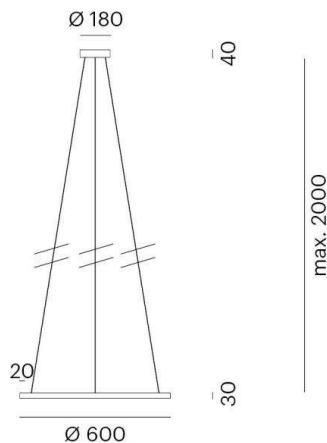
PERFORA M

472-10019600

PERFORA M PD SUSPENSION made of aluminium, black, similar to RAL 9005, light output direct, with converter, dimmable not dimmable, cable grey, steel, adapter/ceiling base black, IP20 cable lenght 2000mm



DRAWING

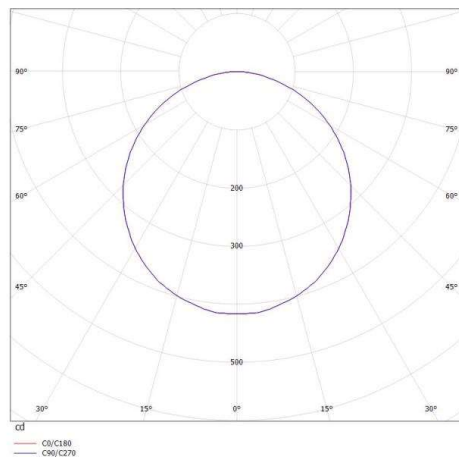


TECHNICAL DETAILS

System perform. [W]	34
Bulb type	LED
Luminous flux [lm]	1200
Colour temp. [K]	3000K
CRI	>90
Converter	with converter
Dimming	nicht dimmbar
Light output	direct
Voltage [V]	220-240V 50/60Hz
Material	aluminium

Height [mm]	30
Diameter [mm]	600
IP protection class	IP20
Voltage class	protection cl. I
Net weight [kg]	2,50

LIGHT DISTRIBUTION CURVE



Color lamp	black
RAL	9005
Color adapter/ceiling base	black
Electric wire	grey, steel
EAN-Number	9010506127782
Lifetime [h]	25 000



The values are rated values. Power and luminous flux are initially subject to a tolerance of +/- 10%. Colour temperature tolerance: +/- 150 K. The values apply to an ambient temperature of 25°C unless otherwise specified.